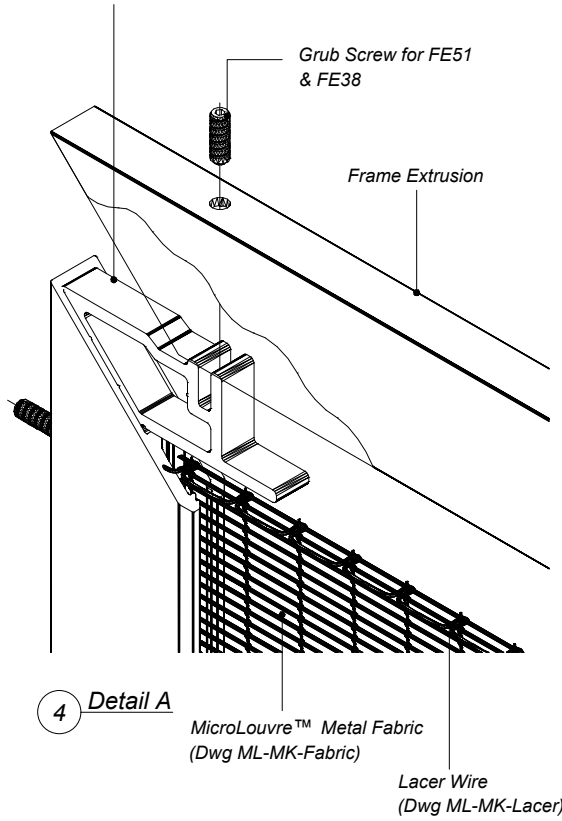
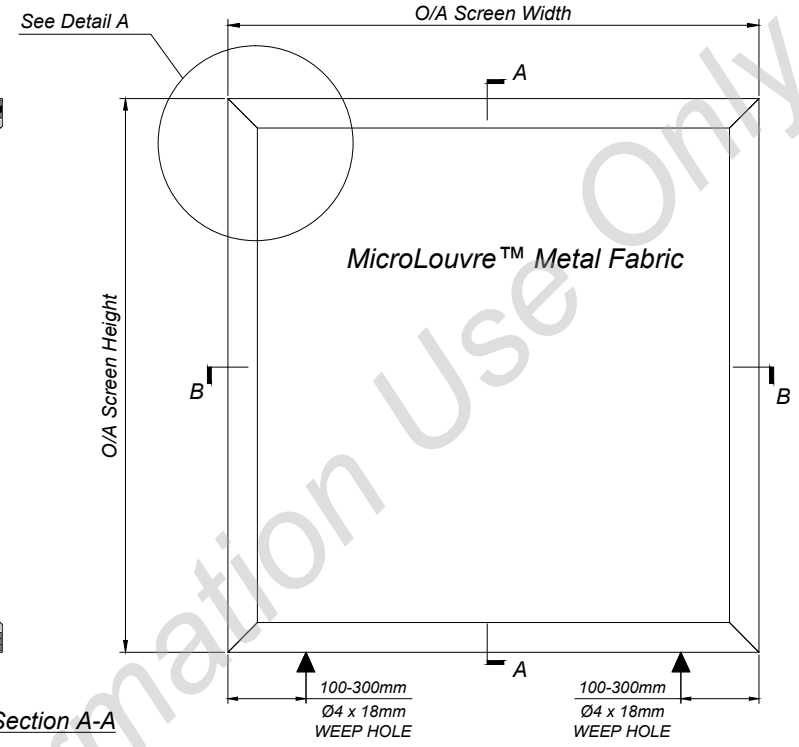


Frame Corner
Refer to Frame Type for Corner Detail

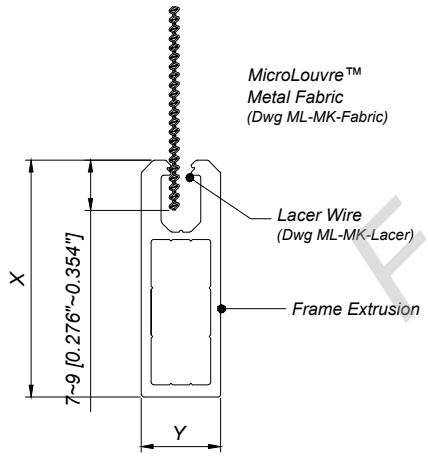
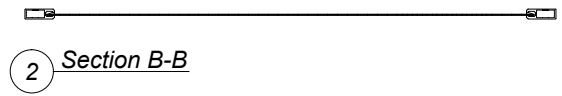


4 Detail A

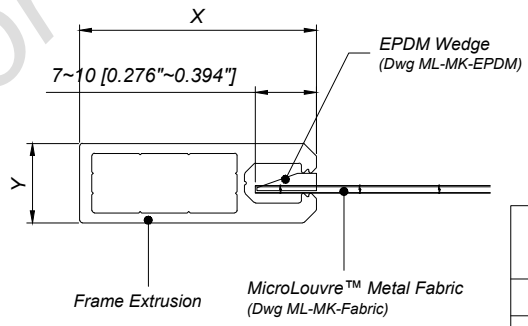


1 Elevation Detail

3 Section A-A



5 Section A Detail



6 Section B Detail



UNIT 18, THE TANNERIES BROCKHAMPTON
LANE, HAVANT HAMPSHIRE PO9 1JB
TEL: 02392 456 333 Email: info@smartlouvres.com
www.smartlouvres.com

MicroLouvre™

Frame Type	Frame Size		Maximum Screen Size	
	X	Y	Width	Height
FE25	25 [0.992"]	13 [0.500"]	1200 [3'-11.244"]	1800 [5'-10.866"]
FE38	38 [1.492"]	13 [0.500"]	1400 [4'-7.118"]	2400 [7'-10.488"]
			1600 [5'-2.992"]	2000 [6'-6.740"]
FE51	51 [1.990"]	13 [0.500"]	1800 [5'-10.866"]	3000 [9'-10.110"]

DRAWN: ML		TITLE: MicroLouvre™ Screen Size Matrix	
CHECKED: CDG	APPROVED: JTR	© 2018 SMARTLOUVRE TECHNOLOGY LTD All rights reserved. This design may not be reproduced in any material form including electronically without the written permission of the copyright names	
DATE: 16.09.2020			
SCALE: N. T. S.		DRAWING NO: ML-GA-FE	ISSUE: 06
All Dimensions in Millimetre [Inch]			